

HELINAV LOADMASTER

Wireless Load Sensor Cockpit Display

The **HELINAV LOADMASTER** Cockpit Display is a small, lightweight, cockpit / window mounted unit which is used in conjunction with our **HELINAV LOADMASTER** Load Sensor to show the current load on the screen. Our range of Load Sensors up to 10 tonnes are shown in datasheet HLM3599R.

Using the 2.4GHz licence free band to receive the Load Sensor signal, it can display the load value in several views which are user selectable. It also allows the user to tare off any equipment weight to display just the load value of the cargo.

The system can operate from its rechargeable battery and does not need to be hard wired, enabling the equipment to be easily transferred between aircraft. The display can be operated and charged from a 28V supply.



Benefits

- Reflective, sunlight readable LCD display
- Optional analog output for cirscale meters
- External antenna
- Units displayed: Tonne, Ton, Kg , lbs
- RAM® 1" ball mount. Base options on request
- Multiple display views. Digital, Analog Bar
- Tare function to zero out weight of equipment



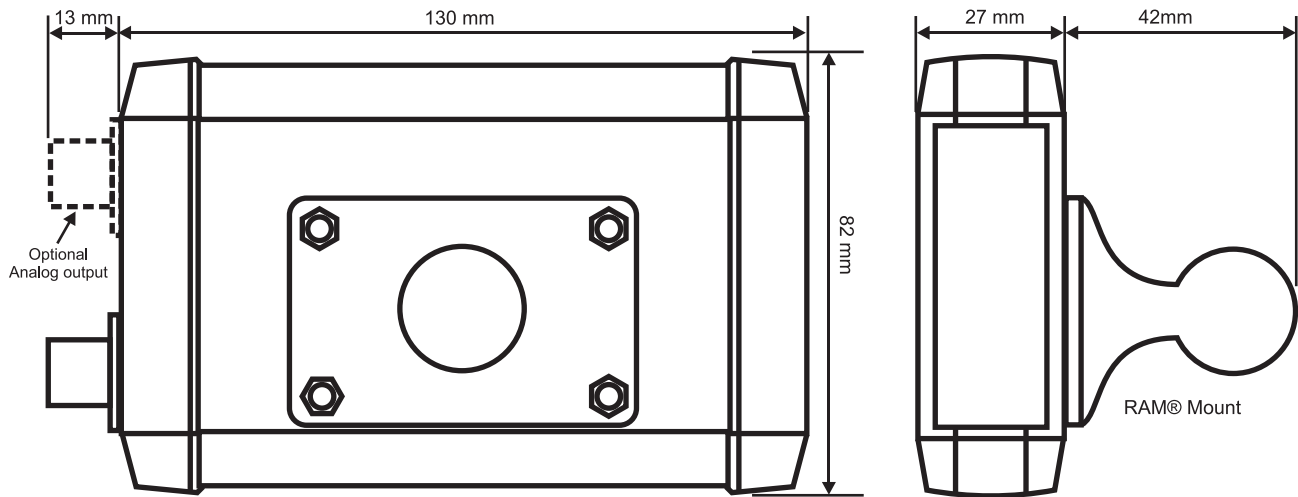
Apollo Park, Ironstone Lane, Wroxton,
Banbury, Oxfordshire, OX15 6AY, UK

Tel: +44 (0)1869 238400
Fax: +44 (0)1869 238401
Email: info@helinav.com

WWW.HELINAV.COM



Mechanical Data



System Specifications

Power

Voltage: 11-28V

Current: 300mA @ 28V

Battery

Type: Li-Ion

Charge Time: 1 Hour

Operating time: 50 Hours

Optional extras

Analog output connector

Analog meter display

Screen

Type: Reflective, sunlight readable LCD

External aerial

Connector: SMA

Connectors

Type: 62IP industrial connectors

Input



Output (option)



Related Products

*HeliNav LoadMaster
Load Cell (HLM-LC)*



Data sheet HLM3599R

*HeliNav LoadMaster
Handheld Receiver (HLM-HR)*



Data sheet HLM3597R

*HeliNav LoadMaster
Receiver Interface (HLM-RI)*



Data sheet HLM3598R

Sensor Technology Ltd reserves the right to change specification and dimensions without notice.