

# HELINAV TRACKMASTER

## Precision Guidance & Position System for Spraying, Spreading & Lifting

**HELINAV TRACKMASTER** has been designed to provide pilots an easy to use and accurate system for line guidance and recording data.

The 7" sunlight readable touchscreen provides clear and accurate positional data for the pilot with an easy to navigate menu system. This system allows the importing of shape files for areas to spray, as well as drop points for lifting jobs.

When used for spraying, the pilot can see exactly which area of the shape has been sprayed as the shape is filled in on screen.

Once a job has been completed, the software allows the data to be exported in many geographic formats which include shape files and KML Google Map files, along with the positional data, area covered and amount lifted can also be reported and used for billing purposes.

The software also allows for user customisation of units, colours, CRS (coordinate reference system) as well as many more.

The **HELINAV TRACKMASTER** system is also compatible with the **HELINAV LOADMASTER** load sensor, when used together it allows lifted weight and drops to be recorded to file for future billing purposes.



### Benefits

- Accurate A-B line track guidance with user selectable spray widths
- Imports ESRI shape files & Google Earth KML
- Overlay spray lines onto shape file for visual confirmation
- Total spray area calculation, Hectares  $m^2$ , acres
- Billing report generator
- No spray zones
- User selectable units: Ton, Kg, lbs, kph, mph, knots, m/s
- Memory tares for zeroing out different equipment
- Output recorded data as ESRI shape file or Google KML file
- Records to file: date, time, load, location, spray on/off
- User configurable colour schemes and options

### GPS

- External receiver update rate 10 times per second
- Receives SBAS (Space Based Augmentation Signals) where available



Apollo Park, Ironstone Lane, Wroxton,  
Banbury, Oxfordshire, OX15 6AY, UK

Tel: +44 (0)1869 238400  
Fax: +44 (0)1869 238401  
Email: [info@helinav.com](mailto:info@helinav.com)

[WWW.HELINAV.COM](http://WWW.HELINAV.COM)



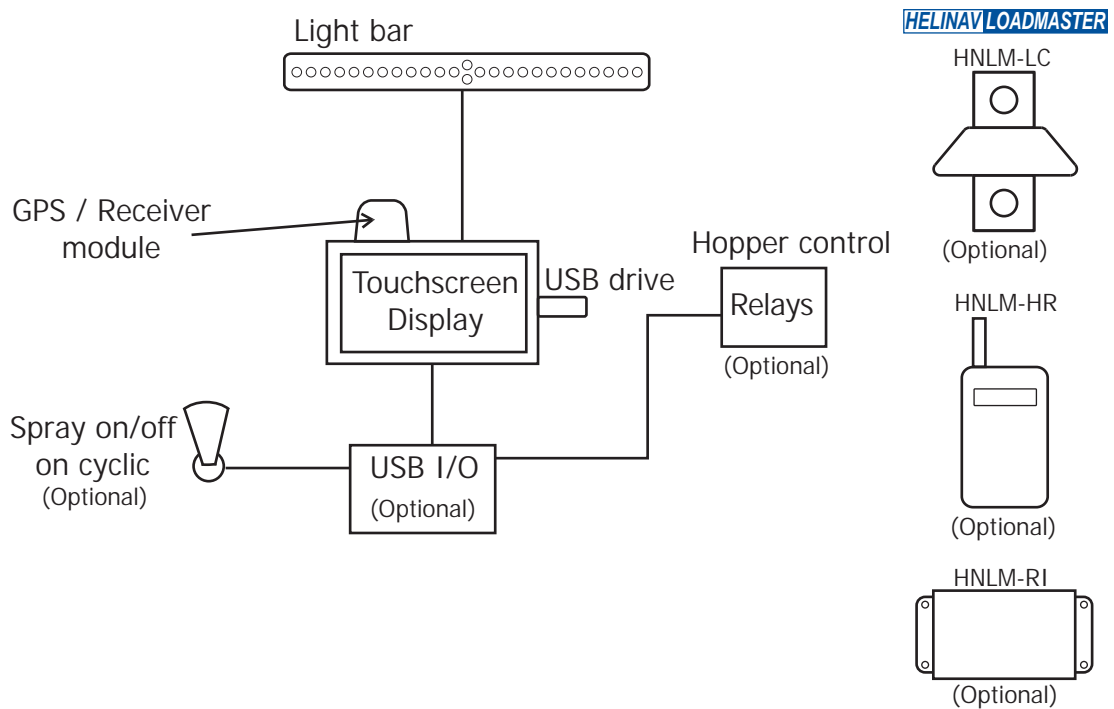
## System Specification

Screen: 7" TFT LCD 1024x600  
sunlight readable  
GPS: 10Hz / 5Hz  
File type in: \*.SHP in OSGB, WGS84, UTM  
File type out: \*.KML, \*.SHP, \*.CSV  
Measurements: 140mm x 230mm x 50mm  
Data: Export to USB stick

Optional Accessories.  
Docking cradle, suction mounts,  
spray switch relay, DC-DC converter



## Possible Configuration



## Example of Google Earth KML generated from spray data:



Sensor Technology Ltd reserves the right to change specification and dimensions without notice.