

WLS-CD Wireless Load Sensor Cabin Display

The LoadSense Sensor Cabin Display is a small, lightweight, cabin / window mounted unit which is used in conjunction with our LoadSense Wireless Load Sensors to show the current load on the screen. Our range of Load Sensors up to 50 Tonnes are shown in datasheet WLS3625R.

Using the 2.4GHz licence free band to receive the Load Sensor signal, it can display the load value in several views which are user selectable. It also allows the user to tare off any equipment weight to display just the load value of the cargo.

The system can operate from its rechargeable battery and does not need to be hard wired, enabling the equipment to be easily transferred between installations. The display can be operated and charged from an 11 to 28V supply.

Benefits

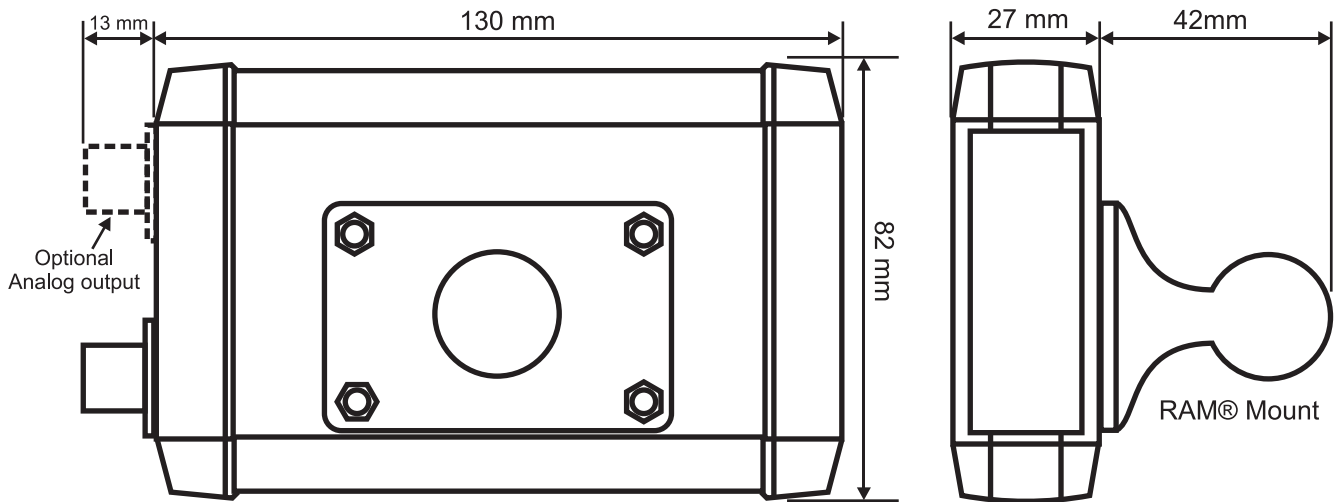
- Reflective, sunlight readable LCD display
- Optional analog output for cirscale meters
- External antenna
- Units displayed: Tonne, Ton, Kg, lbs
- RAM® 1" ball mount. Base options on request
- Multiple display views. Digital, Analog Bar
- Tare function to zero out weight of equipment



Technology

The LoadSense Load Transducer works in the worldwide harmonized band of 2.4 GHz so does not require a licence to operate and uses advanced technologies to enable data to be sent and received error free, these include, forward error correcting and data whitening.

Mechanical Data



System Specifications

Power

Voltage: 11-28V
Current: 300mA @ 28V

Battery

Type: Li-Ion NB-5L
Charge Time: 1 Hour
Operating time: 50 Hours

Optional extras

Analog output connector
Analog meter display

Screen

Type: Reflective, sunlight readable LCD

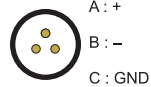
External aerial

Connector: SMA

Connectors

Type: 62IP industrial connectors

Input



A: +

B: -

C: GND

Output (option)



A: Analog out

B: GND

0-2V suitable to drive Analog Meter
(See user manual)

Related Products

LoadSense Wireless
Load Sensor (WLS-LC)



[Data sheet WLS3625R](#)

LoadSense
Handheld Receiver (WLS-HR)



[Data sheet WLS3626](#)

LoadSense
Receiver Interface (WLS-RI)



[Data sheet WLS3627R](#)

Sensor Technology Ltd reserves the right to change specification and dimensions without notice.